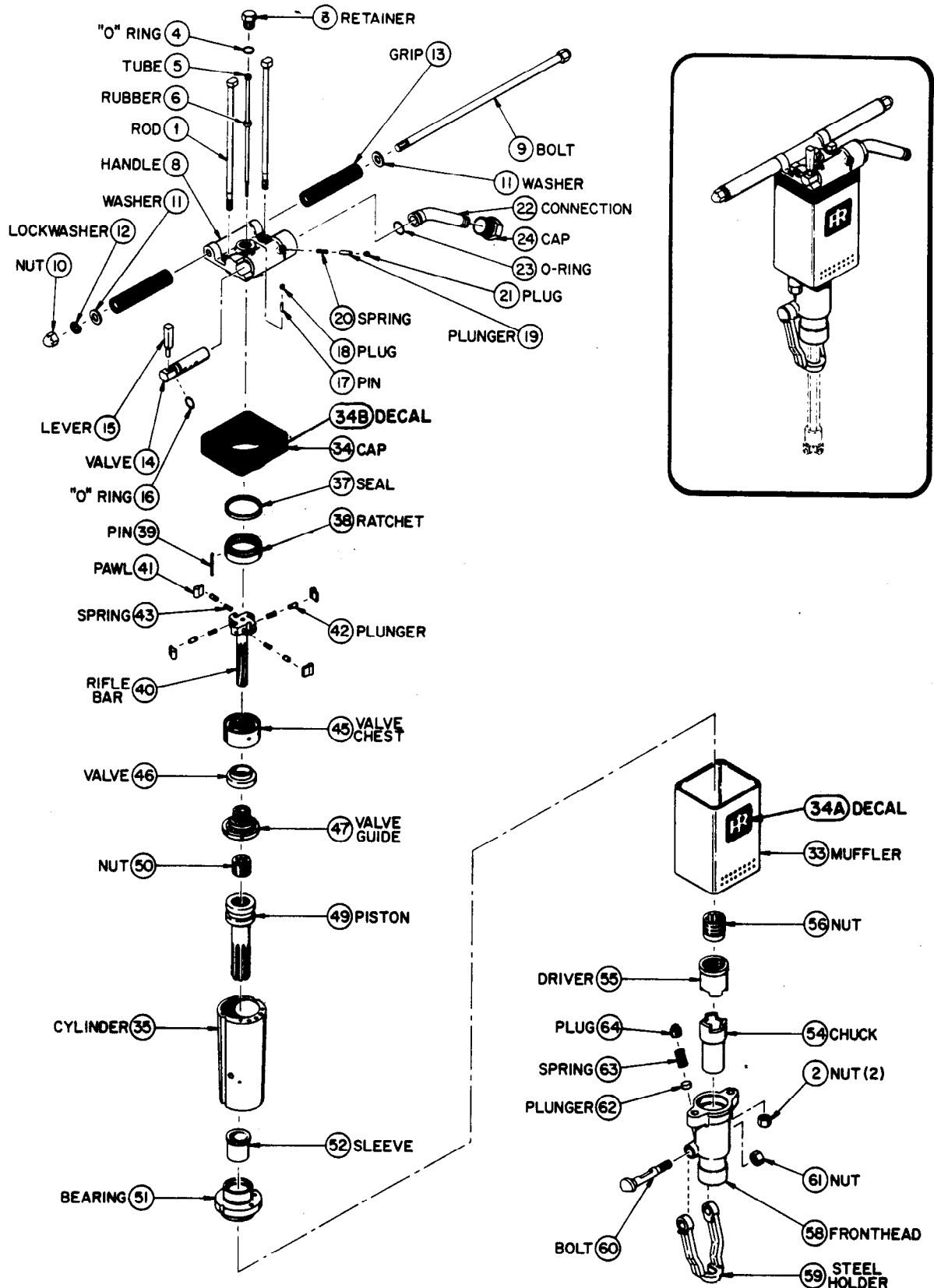
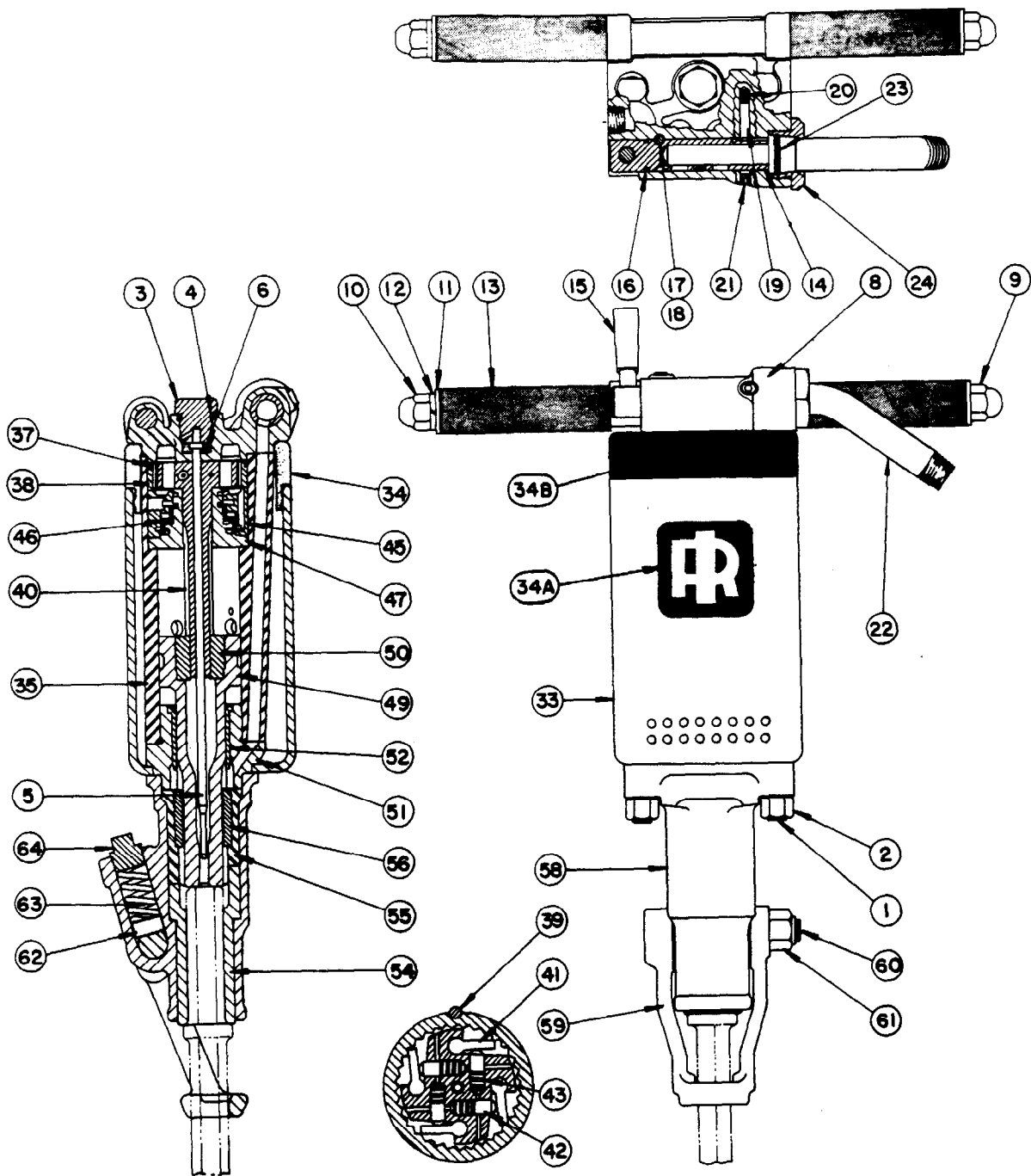


REF. NO.	PART NO.	NAME OF PART Parts indented under an item are included with that item	QTY	<i>Recommended Spares</i>		
				CLASS		
				1 Min.	2 Av.	3 Max.
1	JH40	JACKHAMER COMPLETE (CONSISTS OF FOLLOWING) JACKHAMER ASSEMBLY (REFER TO GPS-5350.84, SH. 2) -----	1			
2	50048693	COUPLING -----	1			
3	50998996	DECAL, SAFETY -----	1			
4	51053601	JH40 MILITARY DECAL -----	1			
5	51053593	LABEL, SHIPPING (NOT ILLUS) --	1			
	51010106	HOSE ASSEMBLY (REFER TO GPS-5350.84, SH. 3) -----	1			

Printed in U.S.A.



JH40 "JACKHAMER"
(Refer to pages 3 and 4 for parts list)



JH40 "JACKHAMER"
 (Refer to pages 3 and 4 for parts list)

When ordering spares, please give (1) the NAME of the part as listed, (2) the PART NO. as listed or stamped on the part, and (3) the SERIAL NUMBER of the machine.

DO NOT use illustration numbers when ordering spare parts. To save time send all orders for parts to the nearest branch office or agent.

PRODUCT IMPROVEMENT IS A CONTINUING GOAL AT INGERSOLL-RAND. DESIGN AND SPECIFICATIONS ARE SUBJECT TO CHANGE WITHOUT NOTICE OR OBLIGATION.

WHEN NECESSARY TO SEND ANY PART OF THIS MACHINE TO THE FACTORY, INQUIRE AT OUR NEAREST BRANCH OFFICE FOR SPECIAL INSTRUCTIONS.

JH40 "JACKHAMER" PARTS LIST
(Refer to pages 1 and 2 for illustrations)

REF. NO.	PART NO.	NAME OF PART Parts indented under an item are included with that item	QTY	Recommended Spares		
				CLASS		
				1 Min.	2 Av.	3 Max.
ASSEMBLY RODS AND PARTS						
1	50003185	ASSEMBLY ROD -----	2	-	-	2
2	50003193	NUT, assembly rod -----	2	-	-	2
BLOWER/WATER TUBE AND PARTS						
3	50503606	TUBE RETAINER -----	1	-	-	1
4	95086526	"O" RING, tube retainer ----	1	1	2	4
5	50763762	BLOWER TUBE -----	1	1	2	4
6	50045673	RUBBER, tube -----	1	2	2	4
HANDLE AND PARTS						
8	50924380	HANDLE -----	1	-	-	-
9	50899517	HANDLE BOLT -----	1	-	-	-
10	95216701	NUT, handle bolt -----	1	-	-	-
11	95064705	WASHER, handle bolt -----	2	-	-	-
12	95210415	LOCKWASHER, handle bolt ----	1	-	-	-
13	50899434	GRIP, handle -----	2	-	-	-
	50809748	THROTTLE VALVE ASSEMBLY ----	1	-	-	-
14	50809730	:THROTTLE VALVE -----	1	-	1	1
15	50809722	:LEVER, throttle valve -----	1	-	1	1
16	95018099	"O" RING, throttle valve ----	1	-	-	1
17	95210563	LOCATING PIN -----	1	-	-	-
18	95049359	PLUG, handle -----	1	-	-	-
19	50003748	PLUNGER, throttle valve ----	1	-	-	-
20	50170927	SPRING, throttle valve plunger -----	1	-	-	-
21	95049359	PLUG, handle -----	1	-	-	-
22	50974013	HOSE CONNECTION -----	1	-	-	1
23	95086161	"O" RING -----	1	-	1	2
24	50028117	CAP, hose connection -----	1	-	-	-
MUFFLER AND PARTS						
33	50997915	MUFFLER -----	1	-	-	-
34	50719871	CAP, muffler -----	1	-	-	-
34A	50925049	DECAL, muffler -----	1	-	-	-
34B	92132273	DECAL, origin of manufacture	1	-	-	-
CYLINDER						
35	50719889	CYLINDER -----	1	-	-	1
ROTATION PARTS						
37	50719731	SEAL, rotation ratchet ----	1	-	-	1
38	50719723	RATCHET, rotation -----	1	-	1	1
39	95385720	DOWEL PIN, rotation ratchet	1	-	-	1
40	50003888	RIFLE BAR -----	1	1	2	3
41	50172386	PAWL, rotation -----	4	2	2	4
42	50172394	PLUNGER, rotation pawl ----	4	2	2	4
43	50173269	SPRING, rotation pawl plunger -----	4	4	4	8
VALVE CHEST AND PARTS						
45	50719830	VALVE CHEST -----	1	-	1	1
46	50006816	VALVE -----	1	-	1	1
47	50719822	VALVE GUIDE -----	1	-	1	1
PISTON AND PARTS						
49	50965987	PISTON -----	1	1	1	2
50	50004183	RIFLE NUT -----	1	2	3	4
	50719772	PISTON STEM BEARING ASSY. -	1	-	-	-
51	50719806	:BEARING, piston stem -----	1	-	-	1
52	50719764	:SLEEVE, piston stem bearing -----	1	-	1	1

(CONTINUED ON PAGE 4)

REF. NO.	PART NO.	NAME OF PART Parts indented under an item are included with that item	QTY	Recommended Spares		
				CLASS		
				1 Min.	2 Av.	3 Max.
54	50014562	CHUCK AND PARTS CHUCK (Standard for 25 mm hex. x 108 mm long Jackhamer Shank [1 in. hex x 4-1/4 in. long]) -----	1	1	2	3
55	50003375	DRIVER, chuck -----	1	1	2	3
56	50023126	NUT, chuck -----	1	1	2	3
FRONTHEAD AND PARTS						
58	50719855	FRONTHEAD -----	1	-	1	1
59	50899400	STEELHOLDER -----	1	-	1	1
60	50899392	BOLT, steel holder -----	1	-	-	-
61	95077301	NUT, steel holder bolt -----	1	-	-	-
62	50550409	PLUNGER, steel holder -----	1	-	-	1
63	50550391	SPRING, steel holder plunger -----	1	-	-	1
64	95002143	PLUG -----	1	-	-	-

NOTE: Refer to Form 4857B for instructions covering care and operation of the JH40 Jackhamer.

DESCRIPTION AND GENERAL INFORMATION

The JH40 Jackhamer is a hand-held, medium-weight, muffled, pneumatic rock drill with automatic rifle bar rotation and exceptional hole cleaning ability. It is designed for blower drilling; incorporates control of "hole blowing" in the throttle valve for one-lever simplified control; and is equipped with a closed-center T-handle for general ground level work. The integral noise control muffler is designed to reduce the noise level of the drill to increase operator efficiency by improving the working area environment.

The JH40 listed on pages 3 and 4 is designed with Blower Style Construction and is equipped with a Chuck, Fronthead, and Yoke Type Steel Holder to accommodate a 25 mm hex. x 108 mm long (1 in. hex x 4-1/4 in. long) Jackhamer Shank.

NOTE: An Air Line Lubricator must be used with the JH40 Jackhamer. We recommend the IRO-16F Air Line Lubricator with 0.47 litre (1 pint) capacity.

RECOMMENDED SPARES

The spare parts recommendations for this Jackhamer are shown in three columns under the heading "Recommended Spares." Recommendations are given for three classes of installations, based on spare parts availability, and cover one shift operation for one year.

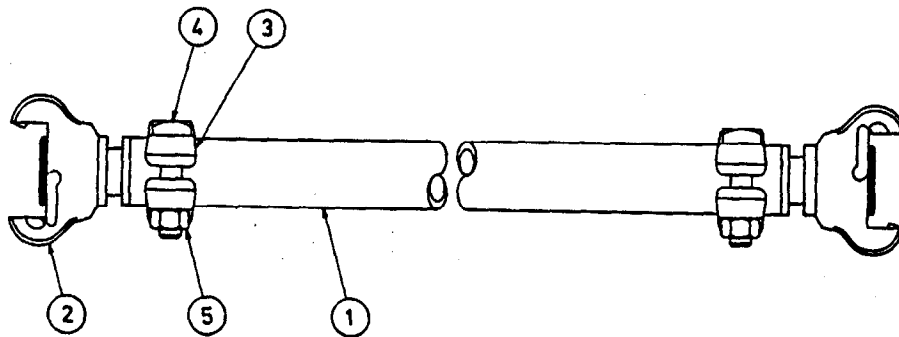
CLASS 1 (Min.) — Covers recommended quantities of spares for a single unit where additional spare parts are ordinarily available from branch or dealer stock.

CLASS 2 (Av.) — Covers recommended quantities of spares for a single unit where additional spare parts would not be readily available.

CLASS 3 (Max.) — Covers recommended quantities of spare parts for a single unit where maximum protection from major shutdown must be afforded, such as an export installation.

The Spare Parts Recommendations are applicable to machines now being assembled. When spares are ordered for specific machines by serial numbers, it may be necessary to make a few substitutions to ensure that the parts will fit the machines for which they are intended.

Because we are not familiar with local operation and maintenance conditions, we cannot guarantee that these recommendations include every part that may be required in any given period of time, nor can we warrant that all of these parts will be needed. Generally, however, we are confident that these recommendations will provide reasonably good protection.



REF. NO.	PART NO.	NAME OF PART Parts indented under an item are included with that item	QTY	<i>Recommended Spares</i>		
				CLASS		
				1 Min.	2 Av.	3 Max.
	51010106	HOSE ASSEMBLY (CONSISTS OF FOLLOWING)				
1	51010098	HOSE, AIR -----	1			
2	50048701	COUPLING -----	2			
3	50069798	CLAMP -----	4			
4	95263471	BOLT -----	4			
5	95077764	NUT -----	4			

Printed in U.S.A.